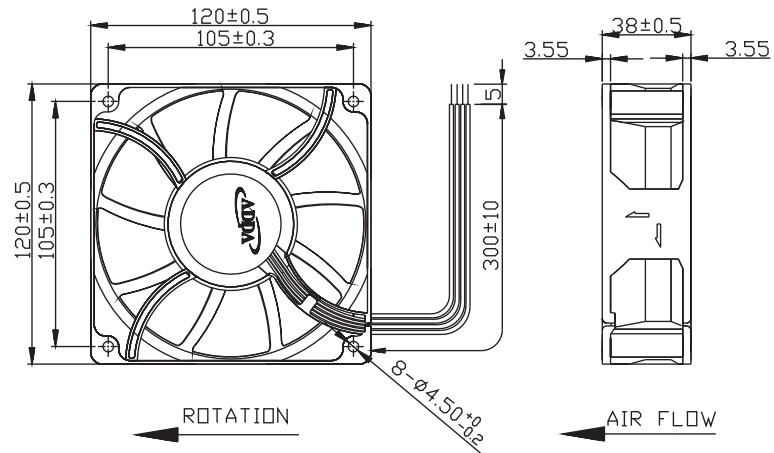




AD12038GP SERIES



External Dimensions



Frame: Plastic(UL:94V-0), Aluminum
 Impeller: Plastic(UL:94V-0)
 Lead wire: UL1007AWG24

Ps. Two different frame materials (Plastic and Aluminum) can be used for AD12038GP, please note which kind of material you're interested and inform your sales if needed.

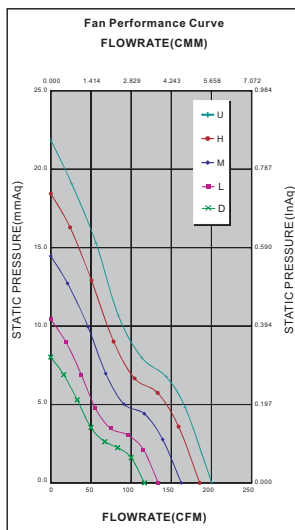
Specifications(Nominal)

*Noise is measured at the distance of one (1) meter from the axis of intake.

Bearing type: ○=Ball ※=Sleeve ●=Hypro bearing

Frame size (mm)	Model No.	Bearing System Type	Rated Voltage (VDC)	Current (A)	Power (W)	Rated Speed (rpm)	Maximum AirFlow (CMM)	Maximum AirFlow (CFM)	Maximum Pressure (InAq)	Maximum Pressure (mmAq)	*Noise Level (dB/A)	Weight (g)
120x120x38	AD1212DB-F9BGP(F)	○	12	0.49	5.88	2800	3.297	116.533	0.316	8.026	48.5	335.0 /Plastic 390.0 /Aluminum
	AD1212LB-F9BGP(FCU)	○	12	0.70	8.40	3200	3.789	133.916	0.410	10.414	52.1	
	AD1212MB-F9BGP(FCU)	○	12	0.96	11.52	3800	4.597	162.470	0.569	14.452	57.5	
	AD1212HB-F9BGP(FM)	○	12	1.62	19.44	4300	5.247	185.422	0.726	18.440	61.8	
	AD1224DB-F9BGP(F)	○	24	0.23	5.52	2800	3.297	116.533	0.316	8.026	48.5	
	AD1224LB-F9BGP(FCU)	○	24	0.36	8.64	3200	3.789	133.916	0.410	10.414	52.1	
	AD1224MB-F9BGP(FCU)	○	24	0.58	13.92	3800	4.597	162.470	0.569	14.452	57.5	
	AD1224HB-F9BGP(FM)	○	24	0.80	19.20	4300	5.247	185.422	0.726	18.440	61.8	
	AD1224UB-F9BGP(FM)	○	24	1.15	27.60	4700	5.676	200.580	0.861	21.869	62.5	
	AD1248DB-F9BGP(F)	○	48	0.16	7.68	2800	3.297	116.533	0.316	8.026	48.5	
	AD1248LB-F9BGP(FCU)	○	48	0.18	8.64	3200	3.789	133.916	0.410	10.414	52.1	
	AD1248MB-F9BGP(FCU)	○	48	0.28	13.44	3800	4.597	162.470	0.569	14.452	57.5	
	AD1248HB-F9BGP(FM)	○	48	0.44	21.12	4300	5.247	185.422	0.726	18.440	61.8	
	AD1248UB-F9BGP(FM)	○	48	0.58	27.84	4700	5.676	200.580	0.861	21.869	62.5	

Specifications subject to change without notice.



*Motor protective circuit and third lead wire functions

0	1	2	3	4	6	7	8	9	A	B
	✓	✓	✓					✓		✓

*Safety approvals

✓	✓		✓	✓