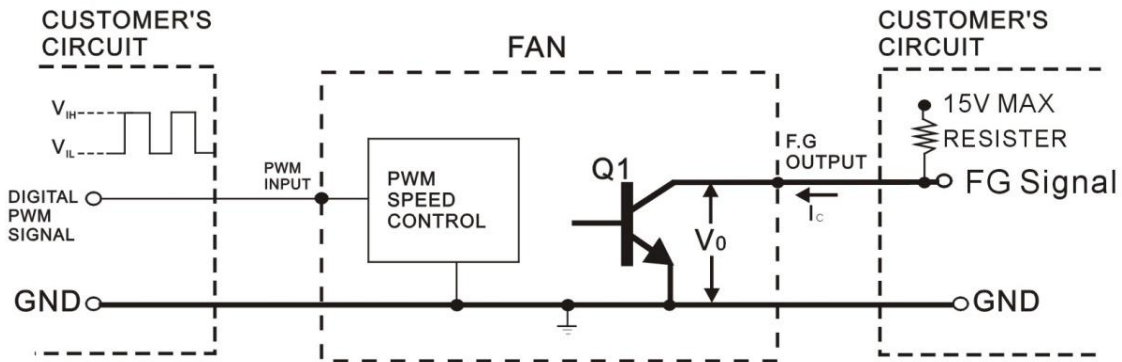




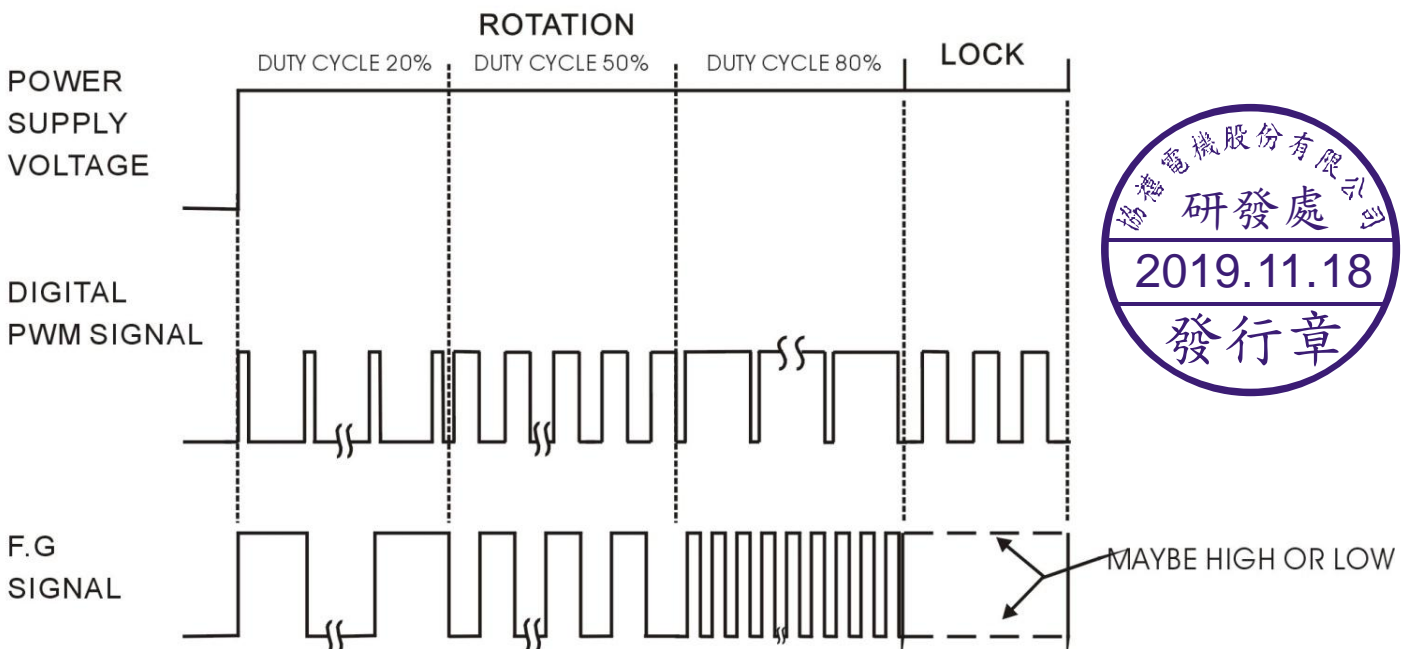
PROVISION OF DIGITAL PWM SPEED CONTROL & LOCKED SIGNAL(F.G)

- OUTPUT OF LOCKED SIGNAL -----OPEN COLLECTOR TYPE

(External signal function design is decided by customer)



- *TRANSISTOR Q1 AT "ON" POSITION
COLLECTOR CURRENT----- $I_c = 10\text{mA MAX}$
SATURATION VOLTAGE----- $V_{OL} = 1\text{ V MAX}$
- *TRANSISTOR Q1 AT "OFF" POSITION
RELEASE VOLTAGE----- $V_{OH} = 15\text{ V MAX}$
- *DIGITAL PWM SPEED CONTROL POSITION
PWM INPUT VOLTAGE HIGH----- $V_{IH} = 3\text{V} \sim 5.5\text{ V}$
PWM INPUT VOLTAGE LOW----- $V_{IL} = 0\text{V} \sim 0.5\text{V}$
- *PWM INPUT FREQUENCY----- $F_{PWM} : 18\text{KHZ} \sim 30\text{KHZ}$



Fan Performance Curve

FLOWRATE(CMM)

0.000 0.707 1.414 2.122 2.829 3.536

