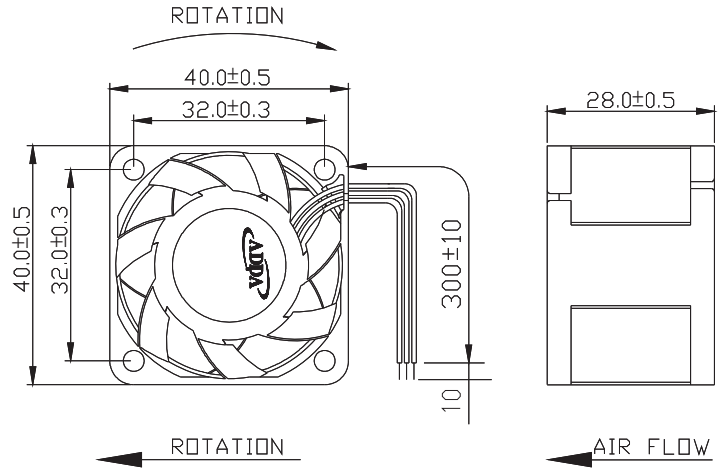




AS4028 SERIES



External Dimensions



Frame:Plastic(UL:94V-0)
 Impeller:Plastic(UL:94V-0)
 Lead wire:UL1061AWG26

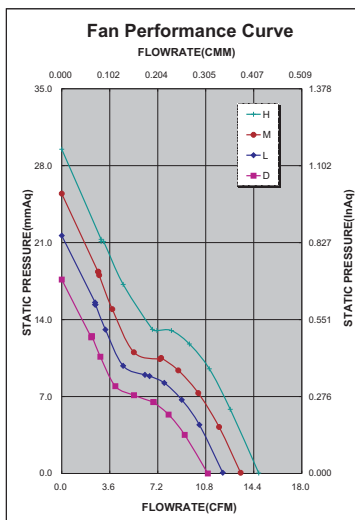
Specifications(Nominal)

*:Noise is measured at the distance of one (1) meter from the axis of intake.

Bearing type: ◎=Ball ※=Sleeve ●=Hypro bearing

Frame size (mm)	Model No.	Bearing System Type	Rated Voltage (VDC)	Current (A)	Power (W)	Rated Speed (rpm)	Maximum AirFlow (CMM)	Maximum AirFlow (CFM)	Maximum Pressure (InAq)	Maximum Pressure (mmAq)	*Noise Level (dB/A)	Weight (g)
40x40x28	AS04012DB2856A0(00LAP)	◎	12	0.15	1.80	10000	0.310	10.95	0.690	17.63	40.3	41.0
	AS04012LB2856A0(00LAP)	◎	12	0.16	1.92	11000	0.340	12.08	0.850	21.64	43.9	
	AS04012MB2856A0(00LAP)	◎	12	0.20	2.40	12000	0.380	13.41	1.000	25.45	46.3	
	AS04012HB2856A0(00LAP)	◎	12	0.26	3.12	13000	0.420	14.77	1.160	29.49	48.5	

Specifications subject to change without notice.



*Motor protective circuit and third lead wire functions

0	1	2	3	4	6	7	8	9	A	B
✓					✓					

*Safety approvals

✓	✓		✓	✓