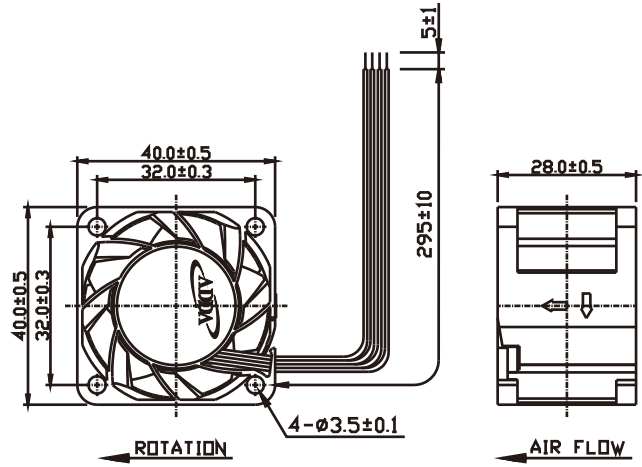




External Dimensions



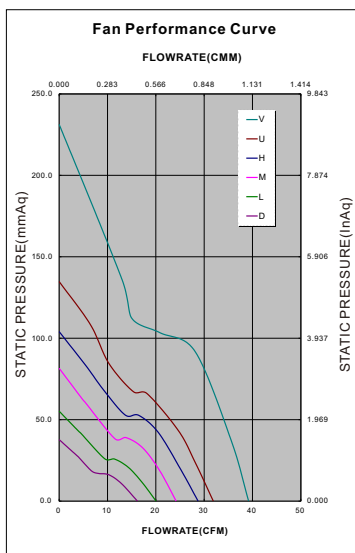
Frame:Plastic(UL:94V-0)
 Impeller:Plastic(UL:94V-0)
 Lead wire:UL1061AWG26

Specifications(Nominal)

*Noise is measured at the distance of one (1) meter from the axis of intake.

Bearing type: ⊙=Ball ⊛=Sleeve ●=Hypro bearing


Frame size (mm)	Model No.	Bearing System Type	Rated Voltage (VDC)	Current (A)	Power (W)	Rated Speed (rpm)	Maximum AirFlow (CMM)	Maximum AirFlow (CFM)	Maximum Pressure (InAq)	Maximum Pressure (mmAq)	*Noise Level (dB/A)	Weight (g)
40x40x28	AS04012DB285B02(00NS)	⊙	12	0.25	3.00	15000	0.457	16.150	1.480	37.592	49.7	50.0
	AS04012LB285B02(00NS)	⊙	12	0.42	5.04	18500	0.568	20.050	2.170	55.118	55.4	
	AS04012MB285B02(00NS)	⊙	12	0.68	8.16	22500	0.685	24.200	3.210	81.534	59.8	
	AS04012HB285B02(00NS)	⊙	12	1.10	13.20	26500	0.814	28.740	4.090	103.886	62.8	
	AS04012UB285B02(00NS)	⊙	12	1.70	20.40	30000	0.903	31.900	5.290	134.366	64.5	
	AS04012VB285B02(00NS)	⊙	12	2.60	31.20	36000	1.093	38.600	8.990	228.346	70.5	



*Motor protective circuit and third lead wire functions

0	1	2	3	4	6	7	8	9	A	B	F
	✓	✓	✓					✓		✓	✓

*Safety approvals

				
				✓