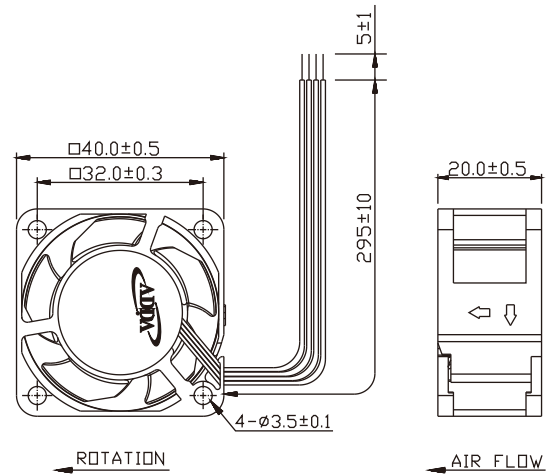




AD4020 SERIES

External Dimensions



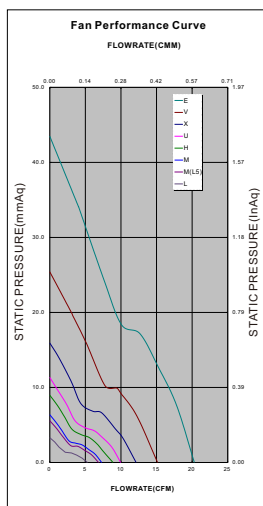
ROTATION
 Frame:Plastic(UL:94V-0)
 Impeller:Plastic(UL:94V-0)
 Lead wire:UL1061AWG26

Specifications(Nominal)

*:Noise is measured at the distance of one (1) meter from the axis of intake.

Bearing type: ◎=Ball※=Sleeve●=Hypro bearing

Frame size (mm)	Model No.	Bearing System Type	Rated Voltage (VDC)	Current (A)	Power (W)	Rated Speed (rpm)	Maximum AirFlow (CMM)	Maximum AirFlow (CFM)	Maximum Pressure (InAq)	Maximum Pressure (mmAq)	*Noise Level (dB/A)	Weight (g)
40x40x20	AD04005LB205B02(00NS)	◎	5	0.09	0.45	5500	0.150	5.300	0.130	3.302	20.1	35.0
	AD04005MB205B02(00NS)	◎	5	0.11	0.55	7500	0.207	7.300	0.250	6.350	27.0	
	AD04005HB205B02(00NS)	◎	5	0.16	0.80	9000	0.251	8.870	0.353	8.966	31.3	
	AD04005UB205B02(00NS)	◎	5	0.20	1.00	10000	0.282	9.950	0.445	11.303	35.2	
	AD04005XB205B02(00NS)	◎	5	0.25	1.25	12000	0.343	12.120	0.625	15.875	39.0	
	AD04012LB205B02(00NS)	◎	12	0.04	0.48	5500	0.150	5.300	0.130	3.302	20.1	
	AD04012MB205B02(00NSL5)	◎	12	0.05	0.60	7000	0.193	6.820	0.216	5.486	22.5	
	AD04012MB205B02(00NS)	◎	12	0.05	0.60	7500	0.207	7.300	0.250	6.350	27.0	
	AD04012HB205B02(00NS)	◎	12	0.06	0.72	9000	0.251	8.870	0.353	8.966	31.3	
	AD04012UB205B02(00NS)	◎	12	0.09	1.08	10000	0.282	9.950	0.445	11.303	35.2	
	AD04012XB205B02(00NS)	◎	12	0.13	1.56	12000	0.343	12.120	0.625	15.875	39.0	
	AD04012VB205B02(00NS)	◎	12	0.18	2.16	15000	0.428	15.140	1.001	25.425	44.0	
	AD04012EB205B02(00NS)	◎	12	0.42	5.04	20000	0.575	20.310	1.710	43.434	52.5	
	AD04024LB205B02(00NS)	◎	24	0.04	0.96	5500	0.150	5.300	0.130	3.302	20.1	
	AD04024MB205B02(00NS)	◎	24	0.05	1.20	7500	0.207	7.300	0.250	6.250	27.0	
	AD04024HB205B02(00NS)	◎	24	0.06	1.44	9000	0.251	8.870	0.353	8.966	31.3	
	AD04024UB205B02(00NS)	◎	24	0.07	1.68	10000	0.282	9.950	0.445	11.303	35.2	
	AD04024XB205B02(00NS)	◎	24	0.08	1.92	12000	0.343	12.120	0.625	15.875	39.0	
	AD04024VB205B02(00NS)	◎	24	0.11	2.64	15000	0.428	15.140	1.001	25.425	44.0	
	AD04024EB205B02(00NS)	◎	24	0.21	5.04	20000	0.575	20.310	1.710	43.434	52.5	



*Motor protective circuit and third lead wire functions

0	1	2	3	4	6	7	8	9	A	B	F
	✓	✓	✓					✓		✓	✓

*Safety approvals

✓	✓		✓	✓