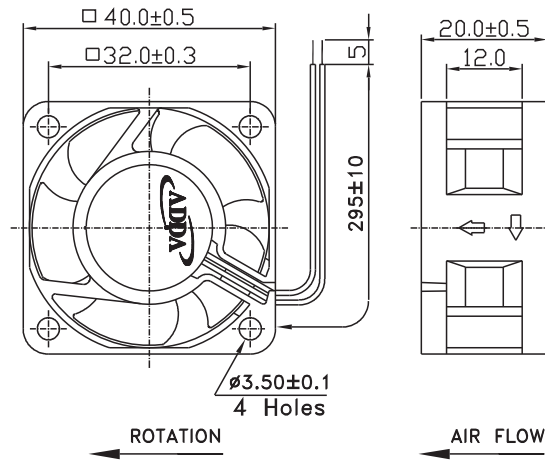




# AD4020 SERIES

## External Dimensions



Frame:Plastic(UL:94V-0)  
 Impeller:Plastic(UL:94V-0)  
 Lead wire:UL1007AWG26

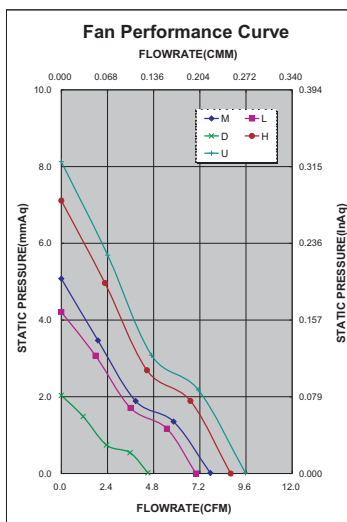
## Specifications(Nominal)

\*:Noise is measured at the distance of one (1) meter from the axis of intake.

Bearing type: ◎=Ball ※=Sleeve ○=1B1S ●=Hypro bearing

Frame size (mm)	Model No.	Bearing System Type	Rated Voltage (VDC)	Current (A)	Power (W)	Rated Speed (rpm)	Maximum AirFlow (CMM)	Maximum AirFlow (CFM)	Maximum Pressure (InAq)	Maximum Pressure (mmAq)	*Noise Level (dB/A)	Weight (g)
40x40x20	AD0405DB-C50	◎ ※ ●	5	0.09	0.45	4200	0.127	4.489	0.080	2.032	17.5	28.0
	AD0405LB-C50	◎ ※ ●	5	0.14	0.70	6200	0.198	6.999	0.165	4.191	30.0	
	AD0405MB-C50	◎ ※ ●	5	0.16	0.80	6900	0.219	7.741	0.200	5.080	33.0	
	AD0405HB-C50	◎ ※ ●	5	0.25	1.25	7800	0.249	8.802	0.280	7.112	36.0	
	AD0412DB-C50	◎ ※ ●	12	0.04	0.48	4200	0.127	4.489	0.080	2.032	17.5	
	AD0412LB-C50	◎ ※ ●	12	0.07	0.84	6200	0.198	6.999	0.165	4.191	30.0	
	AD0412MB-C50	◎ ※ ●	12	0.08	0.96	6900	0.219	7.741	0.200	5.080	33.0	
	AD0412HB-C50	◎ ※ ●	12	0.10	1.20	7800	0.249	8.802	0.280	7.112	36.0	
	AD0412UB-C50	◎ ※ ●	12	0.14	1.68	8500	0.271	9.579	0.320	8.128	37.5	
	AD0424DB-C50	◎ ※ ●	24	0.14	1.68	4200	0.127	4.489	0.080	2.032	17.5	
	AD0424LB-C50	◎ ※ ●	24	0.05	1.20	6200	0.198	6.999	0.165	4.191	30.0	
	AD0424MB-C50	◎ ※ ●	24	0.06	1.44	6900	0.219	7.741	0.200	5.080	33.0	
	AD0424HB-C50	◎ ※ ●	24	0.07	1.68	7800	0.249	8.802	0.280	7.112	36.0	

Specifications subject to change without notice.



\*Motor protective circuit and third lead wire functions

0	1	2	3	4	6	7	8	9	A	B
✓	✓	✓	✓		✓					

\*Safety approvals

✓	✓		✓	✓