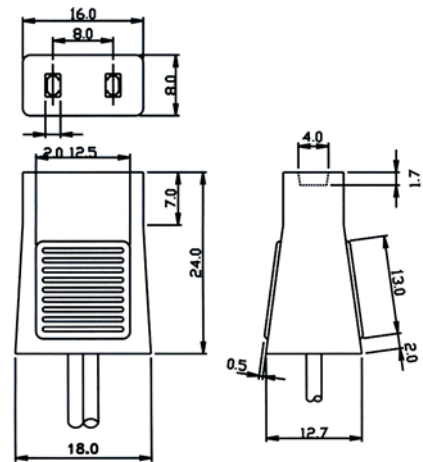


Plug And Cables

ACC001:180°



- ▶ MODEL NO. ACC001
- DESCRIPTION : PIUG = PVC UL 105°C
- MATERIAL : LEAD WIRE = SPT-1 18 AWG 105°
- FINISH : TERMINAL= JISC5120 PBS
- TOLERANCE LINEAR +/- 20 MM
- ANGULAR +/- 0.5 DEG.

▶

ITEM	SIZE	PART NO.	AWG#
01	12 inches (304.8 mm)	MEP1549718410	18/105°C
02	24 inches (609.6 mm)	MEP1549718420	18/105°C
03	36 inches (914.4 mm)	MEP1549718430	18/105°C
04	40 inches (1016.0 mm)	MEP1549718440	18/105°C
05	50 inches (1270.0 mm)	MEP1549718450	18/105°C
06	60 inches (1524.0 mm)	MEP1549718460	18/105°C
07	80 inches (2032.0 mm)	MEP1549718470	18/105°C
08	40 inches (1016.0 mm)	MEP1549718480	18/180°C
09	314.961 inches (8000.0 mm)	MEP1549718490	18/180°C

The measured magnitude of leading wire has included the length of socket pin.