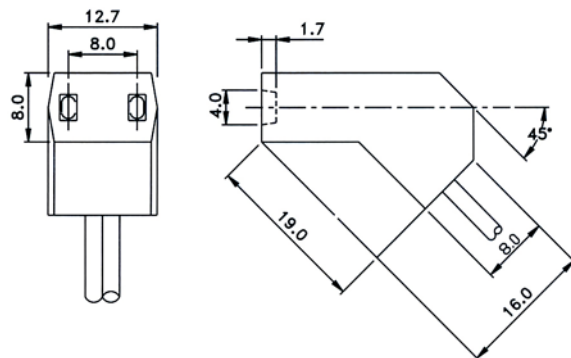


Plug And Cables

ACC002:45°



- ▶ **MODEL NO. ACC002**
- DESCRIPTION :** PIUG = PVC UL 105°C
- MATERIAL :** LEAD WIRE = SPT-1 18 AWG 105°
- FINISH :** TERMINAL= JISC5120 PBS
- TOLERANCE LINEAR** +/- 50 MM
- ANGULAR** +/- 0.5 DEG.

▶

| ITEM | SIZE | PART NO. |
|------|----------------------------|---------------|
| 01 | 12 inches (304.8 mm) | MEP1549718510 |
| 02 | 24 inches (609.6 mm) | MEP1549718520 |
| 03 | 36 inches (914.4 mm) | MEP1549718530 |
| 04 | 40 inches (1016.0 mm) | MEP1549718540 |
| 05 | 50 inches (1270.0 mm) | MEP1549718550 |
| 06 | 60 inches (1524.0 mm) | MEP1549718560 |
| 07 | 80 inches (2032.0 mm) | MEP1549718570 |
| 08 | 314.961 inches (8000.0 mm) | MEP1549718580 |

The measured magnitude of leading wire has included the length of socket pin.