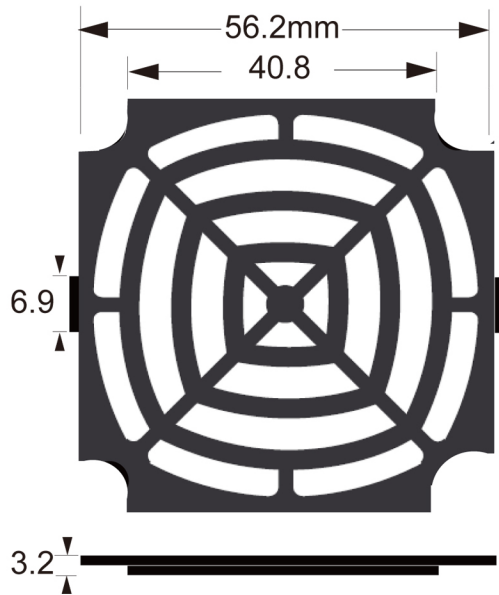
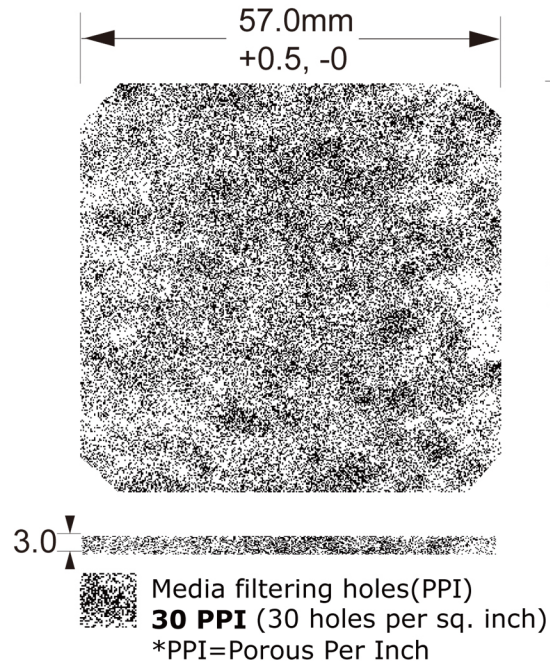


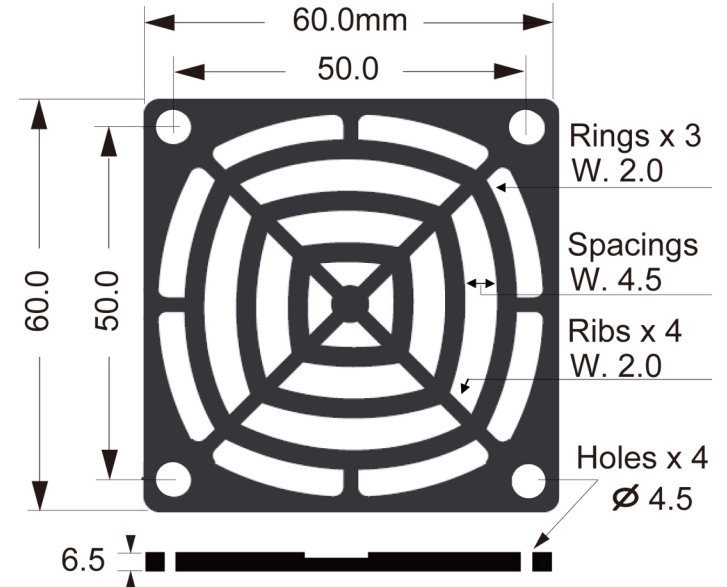
Retainer "R" / R60P



Media "M" / M60-30



Guard "G" / G60P



Material:

- Plastic guard "G" & Retainer "R" made of plastic ABS764 glass reinforced flammability rated UL94V-0
- Media "M" is made of PU foam
- Color: black / Filtering holes: 30PPI / Weight: 9.5Gm

Model No.

GRM60-30

Plastic Fan Filter Kits For 60mm Fans